

DESIGNED BLINDS AUSTRALIA
Outdoor LOGIC®



CUSTOMER SERVICE

T: 1800 686 856

F: 1300 367 542

E: customerservice@designedblinds.com.au

NATIONAL SHOWROOM

141 Palmer Street Richmond VIC 3121

T: 03 8419 9400

F: 03 9428 4501

W: dbablinds.com.au

Outdoor LOGIC® BY DESIGNED BLINDS AUSTRALIA

OVERVIEW

Outdoor LOGIC® from Designed Blinds Australia represents the latest in awning design and styling. The collection was developed to meet market demand for modern hardware systems that suits the newest architectural design trends. Featuring a variety of hardware options, including Cable Guides, Zip Track and a Pivot Arm Awning, you can select the perfect product for your personal external shading requirements, whilst maintaining a commonality of appearance and design.

DESIGN

The universal headbox system has been intelligently designed to incorporate a variety of guiding options, providing flexibility for functionality whilst also maintaining a consistent design.

Outdoor LOGIC® can also be used without a headbox providing a modern entry level option.

STYLING

The headbox and bottom rail incorporate a subtle curve to enhance the aesthetics and co-ordinate with modern housing trends. This gives a unique classic style to each of the Outdoor LOGIC® Awnings making it a perfect addition to any home design.

QUALITY

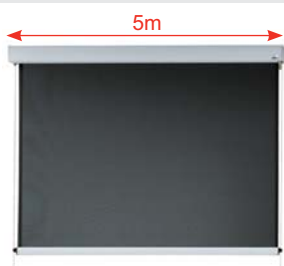
The componentry is designed and engineered in Australia specifically for the Australian market, making it ideal for our unique climate conditions. The system is manufactured in Australia using strict quality control and inspection processes to ensure the product exceeds consumers' expectations. Outdoor LOGIC® is supported by the Designed Blinds Australia 5 year warranty,* designed to ensure a thoroughly satisfying experience and provides peace of mind.

*See website for warranty details.

RANGE PRODUCT BENEFITS

Designed Blind Australia's Outdoor LOGIC® Range shares a number of unique benefits across all guiding options. These include:

- Designed for large spans - up to 5m.
- Headbox & open roller options.
- Multi-function bottom rail.
- Variety of operating options: LOGIC® Zip, LOGIC® Channel, LOGIC® Pivot, LOGIC® Guide and LOGIC® Drop.
- Versatile and flexible installation.
- Colour co-ordination & multiple fabric options.



DESIGNED FOR LARGE SPANS

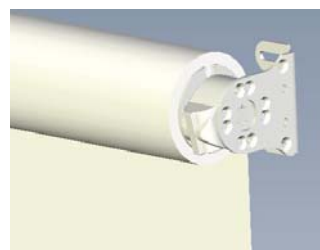
Modern design is trending towards larger windows, thereby demanding wider shading solutions. Outdoor LOGIC® is capable of widths up to 5 metres, and drops up to 4 metres by incorporating a heavy duty 78mm steel roller tube.

HEADBOX & OPEN ROLLER OPTIONS

The optional headbox provides fabric enclosure thereby protecting the fabric from external elements such as rain, UV rays and debris, keeping the fabric clean and enhances longevity.

Utilising a common headbox allows consumers to choose guiding systems to suit various applications without changing the product aesthetics.

Each of the Outdoor LOGIC® Range of awnings is available with an open fabric roller, offering entry level pricing.



DESIGN

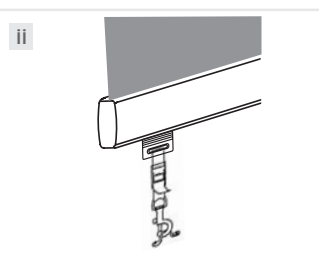
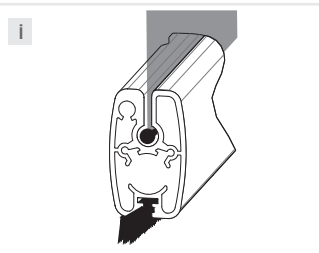
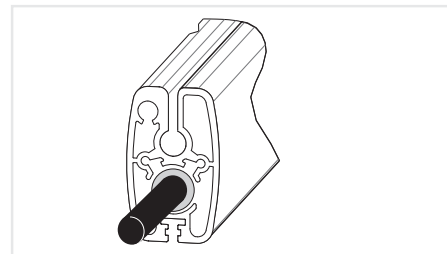
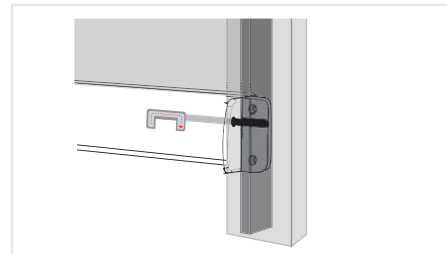
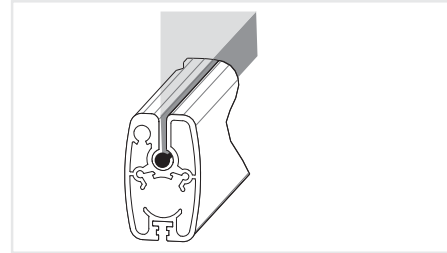
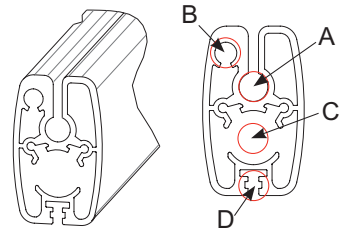
The bottom rail design has a slight curve to match the head boxes' subtle classic styling.

It maintains seamless aesthetics throughout the hardware system and provides a unique point of difference.

MULTI-FUNCTION BOTTOM RAIL

The multi-function bottom rail has been developed to incorporate modern design, whilst also maximising functionality and weight.

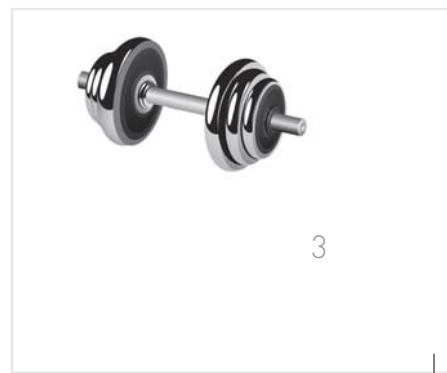
- A The spline insert has been recessed into the bottom rail to cover the fabric joint thereby minimising the visibility of any unsightly welding or stitching. This greatly improves the appearance as the fabric disappears into the rail.
- B A sliding bolt system can be incorporated in the bottom rail which will allow the awning to be locked into position to hold the fabric taut, and minimise any bottom rail movement. This is essential for spring operated channel systems.
- C An optional steel rod can be inserted into the bottom rail to help maximise weight which assists the fabric to lay flat. It also reinforces the bottom rail ensuring minimal flexing in wide applications. The weight rod utilises a heat shrunk plastic outer cover to ensure minimum noise will occur when the bottom rail is moving.



- D The underside of the bottom rail incorporates a channel which provides two functional benefits
 - i A Polyester Brush can be inserted along the length of the bottom rail to minimise light gaps when the awning is fully lowered to the floor. It also protects the bottom rail profile if the awning is inadvertently lowered too quickly.
 - ii A hold down clip can be inserted converting the awning into a no guide hold down LOGIC® Drop option. This is great for applications when there is no ability to use guides or when there is a need to utilise the hold down strap option.

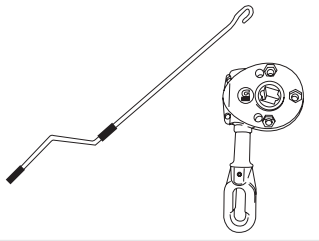
WEIGHT

The robust bottom rail has been designed with 2.5mm aluminium walls producing 1.5 kgs of weight per metre. The increased thickness also ensures minimal bottom rail flex when used in wider applications. The bottom rail, when combined with the optional steel rod insert, can provide an overall weight of up to 2.4kg per metre ensuring minimal bottom rail "bounce" from wind.



OPERATING OPTIONS

The Designed Blinds Australia Outdoor LOGIC® Range has been designed to allow maximum flexibility for ease of use.

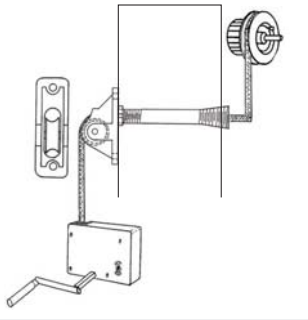


Crank Control

9:1 Manual crank allows easy operation not dependant on user's strength. Specifically designed for straight drop applications, the gear features an internal dampener which protects the gearing components in high wind areas. Available in black, grey and white for improved colour co-ordination. There is also a great new range of polished zinc crank handles available in: 800mm, 1200mm, 1600mm, 2000mm & 2400mm.

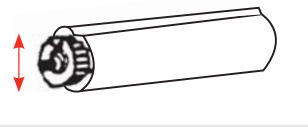
Motor Control

A range of external motor solutions allow awnings to be operated at a touch of a button or via a wall switch control. Also available is the latest automatic tensioning motor that permits the awning to be locked in position (with strap or sliding bolt) and tensioned. This maintains tension on the fabric minimising fabric "blow outs" traditionally caused by unexpected high winds. Optional accessories include sun & wind sensors, special remotes and integration into home automation systems providing intelligent awning control.



Internal Cord

Internal cord winch provides an entry level operation option for anyone wanting to operate the awning from inside their home. (Maximum of 3.5metres wide).



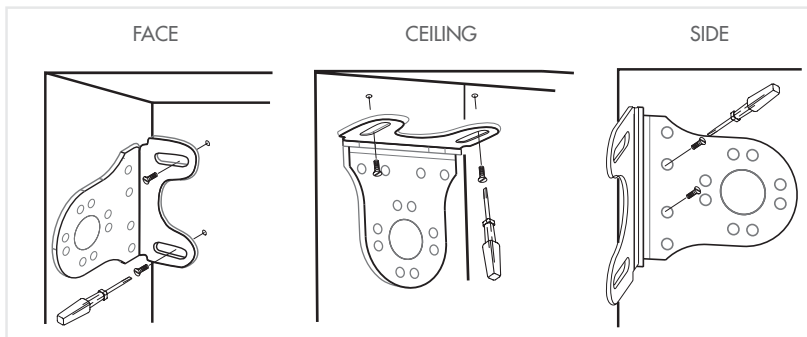
Spring Operation

Spring operation allows the awning to be manually pulled down to the required height and lock off using either the sliding bolt system or hold down clip. (Maximum of 3.5metres wide).

INSTALLATION

Outdoor LOGIC® can be installed in a variety of applications including face, ceiling, or side fixing.

By using the same universal bracket in both headbox and no headbox configurations, installation is made simple and consistent. To improve installation flexibility an additional mounting plate is available that can alter the fixing position by up to 250mm.



COLOUR CO-ORDINATION

The awning systems have a wide range of hardware and fabric colours that allows for great customisation to match any home's exterior colour scheme.



HARDWARE COLOUR

The standard hardware colour is silver pearl that reflects the latest in contemporary external colour trends.

Powder coating options allow customised colour coordinating to either fabric or exterior colour schemes.

LOGIC® Outdoor FABRIC OPTIONS

From screen, to acrylic, to self-cleaning and water-resistant fabrics, there is a solution for all awning applications

Everview External Screen Fabric

Great variety of colour choice selecting from 22 colours incorporating metallic, natural and clear yarns. With a 10% openness weave, the fabric provides significant heat and glare reduction, with Ultra Violet protection. You can maintain a view whilst allowing a gentle breeze to permeate when the window is open.

Available in 3.2m widths, and incorporating a stable 2 x 2 weave, allows Outdoor LOGIC® to be manufactured up to 5metres wide with a 2.9metre drop with no unsightly fabric joins.



SHADE Dickson Acrylic

With a selection of up to 60 colours, a wide range of solid and striped fabrics are available to choose from. Acrylic fabric provides a semi block-out which is great for improved privacy and sun control. 1.2 metre panel widths are standard, with selected colours available in 2 metre wide panels to minimise the visual effect of joins.

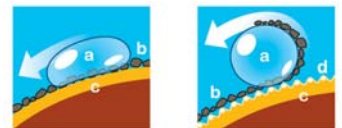
SHADE Dickson Orchestra Max

The latest generation fabric that is self-cleaning and water resistant, available in 15 colours.

Self-cleaning finish: The technology used in the development of this finish is based on the observation of the structure of a lotus leaf, which despite its development in muddy rivers and lakes, manages to keep clean. The microscopic structure of the plant surface, covered with numerous super hydrophobic small bumps of the order of several microns, allows its leaves never to be wet. Instead the drops of water keep rolling on the surface of the leaf, carrying with them debris, insects and dust. Therefore the self-cleaning finish contains nanoparticles that once applied on the fabric; assemble to form an extremely dense protective layer that keeps dirt on the surface. Rain or simple rinsing is sufficient to clean the fabric.



Water-resistant: Orchestra max fabric is coated on one side with an anti-fungal, UV resistant acrylic resin, reinforcing its water resistant properties.



With the Permaclean finish, dirt is carried away by the water:
a. Rolling water droplet. b. Dirt. c. Fabric

Clear PVC

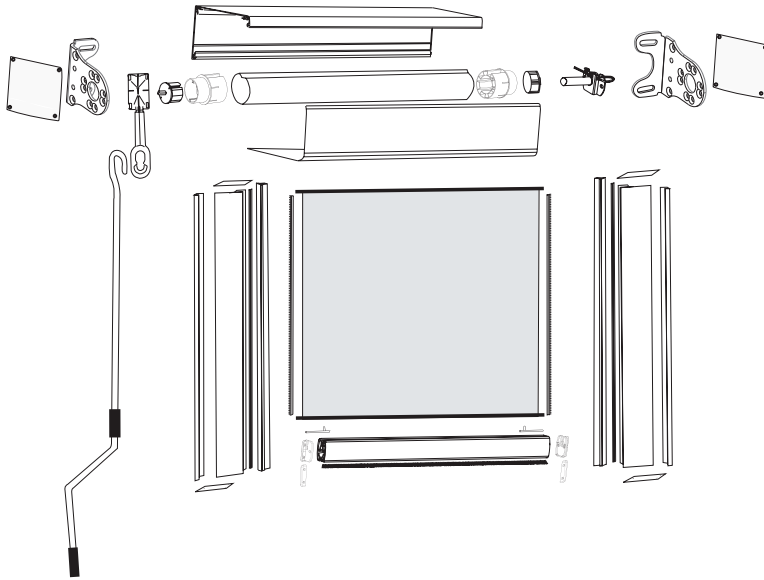
All crank, spring, winch or motorised straight drop awnings can be ordered with a premium 0.75mm quality clear PVC. This option provides enclosures with improved protection from wind and wet weather whilst also allowing great view through. (12 month warranty on PVC option)



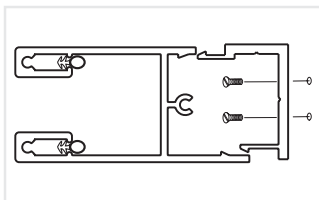
LOGIC® ZIP

OVERVIEW

LOGIC® Zip is a premium, versatile straight drop ideal for: sun/UV protection, insect resistance, windy applications, enclosing a balcony plus creating privacy, light and heat control. The fabric is tensioned by utilising a sliding insert, located within the special two piece side channel, eliminating the possibility of fabric "blow outs" or light gaps. As the fabric is held taught between the left and right channels, this system is ideal for enclosing courtyards, patios or balconies, essentially adding an extra room to the home.

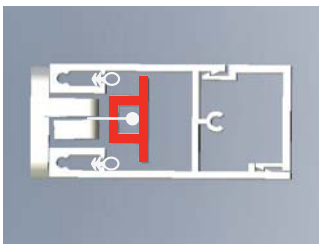


BENEFITS OF LOGIC® ZIP



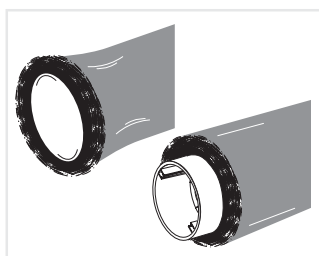
Two Piece Side Channel

By utilising a common L section channel for fixing we have ensured no visible screws or rivets on the finished install. The Zip channel simply snaps over the L section to provide a neat, clean finish. (Also used in LOGIC® Channel)



Flexible Installation

As the fabric is tensioned in the side channels, accurate measurements for installations would normally be essential. Due to the unique floating insert there will be some installation flexibility with the channel. The insert feature will also move with the wind and take strain off the welds and joins in the fabric. Clever sound bumpers have been incorporated inside the channels to minimise noise when operating or in windy conditions.



Tube Reducers

Due to the density of the zip attachment on the fabric there is a potential for fabric thickness build up at the end of the roller, as the awning is raised. The use of custom designed tube reducers minimises this build up, thereby ensuring the fabric rolls as symmetrically as possible, whilst the awning is in operation.

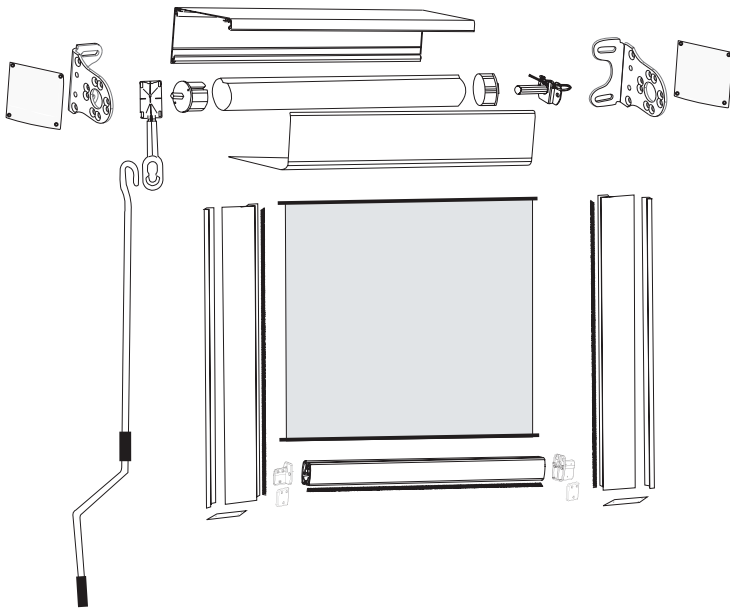




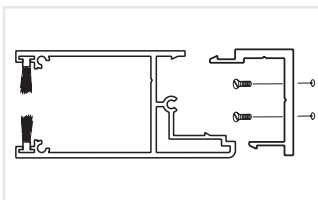
LOGIC[®] CHANNEL

OVERVIEW

LOGIC[®] Channel is a great straight drop option for: sun/UV protection, windy applications, plus privacy and block out situations. This option allows up to 30mm of fabric within the channel, therefore eliminating light gaps and reducing the potential for fabric "blow outs" in windy conditions.

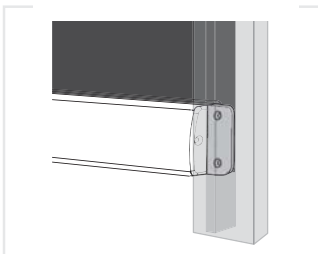


BENEFITS OF LOGIC[®] CHANNEL



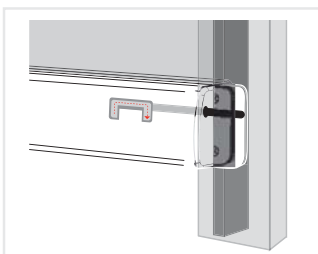
Two Piece Side Channel

By utilising a common L section channel for fixing we have ensured no visible screws or rivets on the finished install. The front channel simply snaps over the L section to provide a neat, clean finish. (Also used in LOGIC[®] Zip)



Bottom Rail End Cap

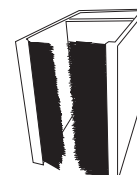
LOGIC[®] Channel bottom rail end cap consists of two pieces designed to clamp the fabric and carry it into the channel. By utilising the end cap for this function (as opposed to the bottom rail) we have significantly reduced the depth of the channel making it smaller than most competitor channel systems.



Sliding Bolt

This option allows consumers to secure the bottom rail at various heights, by simply sliding the bolt into selected hole positions in the side channel and locking into position. This feature holds the fabric taut and minimises bottom rail movement.

This feature is essential for spring operated channel systems.



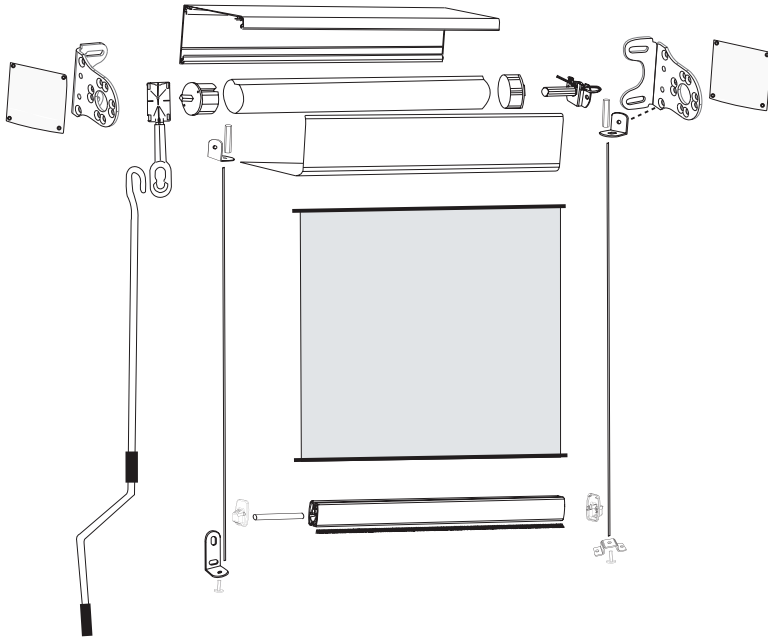
Brush

The side channels incorporate a brush insert down the length to assist in retaining fabric within the channel, whilst also minimising noise from movement.

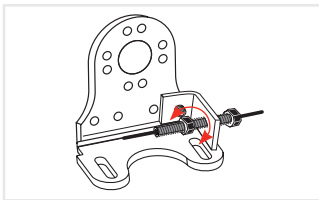
LOGIC[®] GUIDE

OVERVIEW

LOGIC[®] Guide is a great contemporary straight drop option for: sun/UV protection, air flow and where channels are not suitable. The cables are constructed using high tensile 316 grade marine stainless steel, making them perfect for coastal applications.

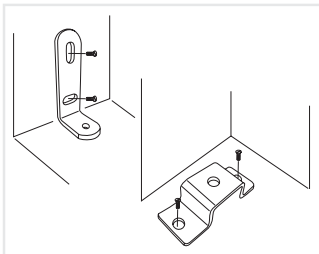


BENEFITS OF LOGIC[®] GUIDE



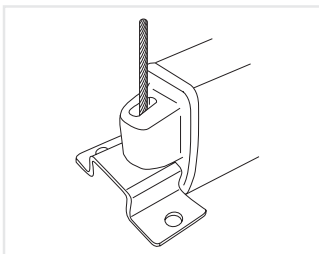
Cable Tensioner

The new cable fixing method gives greater flexibility when tensioning the side cables. Firstly, manually pull tension on the cable via the top and bottom lugs. This tension is then held and locked off using grub screws. As necessary, additional tension can then be applied by tightening the nut on the top lug. This option works in all installations applications, with consumers even being able to reapply tension simply by tightening the nut on the top lug.



Cable Mounting Options

Fabricated from modern, polished stainless steel, you have the choice of either floor or wall mount brackets. A 2.5mm thickness ensures the brackets not only look great but give long term durability.



Bottom Rail End Caps

The cable system bottom rail end caps allow the bottom rail to reach the ground when using the floor mount option. When combined with the bottom rail brush option, this will assist in eliminating light gaps from under the bottom rail when fully lowered.



LOGIC® Guide

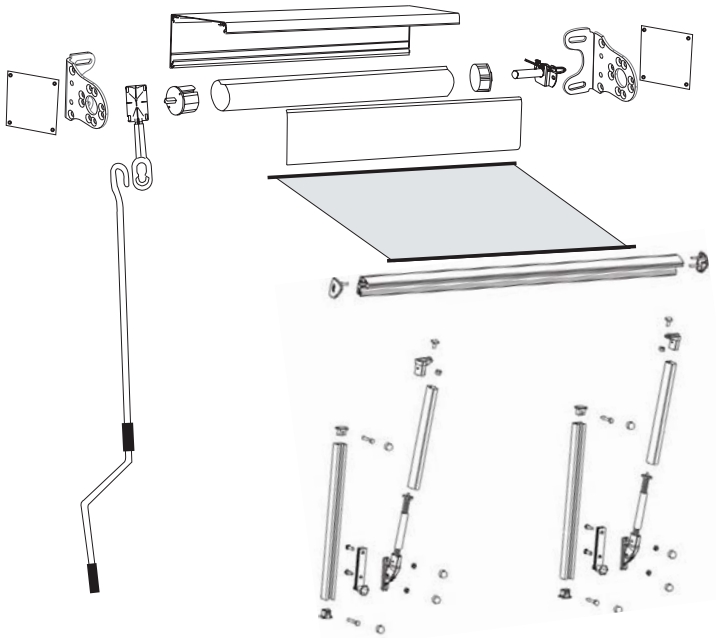


LOGIC® Pivot

LOGIC[®] PIVOT

OVERVIEW

LOGIC[®] Pivot projects the fabric off the window, with the arms and fabric forming an arc that allows air to flow behind the awning. This allows windows to be open whilst the awning is projected. This system is a heavy duty contemporary design ideal for larger windows.



BENEFITS OF LOGIC[®] PIVOT



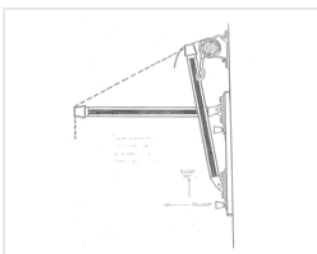
Headbox

We have designed a unique headbox that allows the underside of the cassette to be open to accommodate the angle required for effective pivot arm operation.



Heavy Duty Pivot Arm

The heavy duty spring incorporated in the pivot arms provides excellent fabric tension even with awning widths up to 5 metres. The arms are a modern anodised finish that complements Designed Blinds Australia standard Silver Pearl hardware.



Sliding Arm Set

An optional sliding arm set facilitates changing the pivot point of the awning by simply moving the arms up or down the sliding rails. This allows the awning to operate like a normal pivot arm in the down position, and in the raised position it allows head clearance over doorways providing a canopy effect.

(This option is not available with a headbox).

CUSTOMER SERVICE

T: 1800 686 856

F: 1300 367 542

E: customerservice@designedblinds.com.au

NATIONAL SHOWROOM

141 Palmer Street Richmond VIC 3121

T: 03 8419 9400

F: 03 9428 4501

W: dbablinds.com.au

DESIGNED BLINDS AUSTRALIA
Outdoor LOGIC®



T: 1800 686 856
W: dbablinds.com.au

